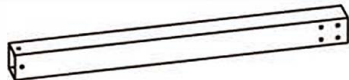
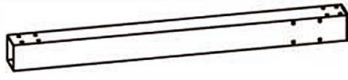
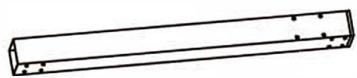





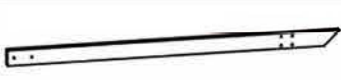

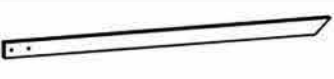
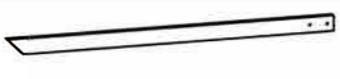
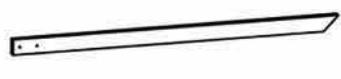





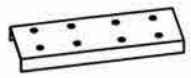
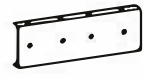



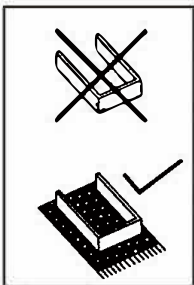
Note: This gazebo is meant to be used for decorative and sunshade purposes only and is not
Mean to withstand any elements of the weather.













Please read this instruction brochure carefully before starting assembly.







- 1). Do not cook underneath gazebo.
- 2). Do not ignite fireworks underneath gazebo.
- 3). Please keep the parts list, it could be useful to reorder some parts for service if necessary.

Parts list

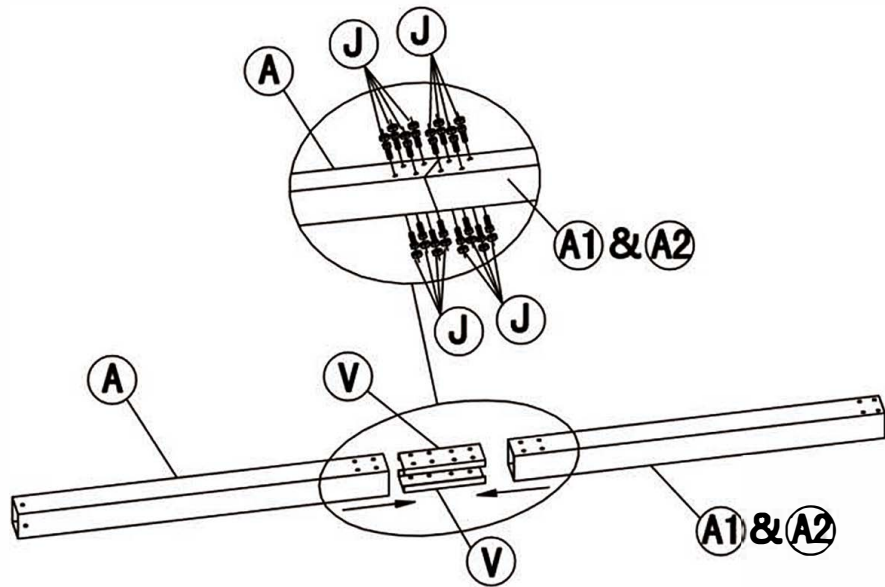
	(A) 4X		(A1) 2X
	(A2) 2X		(B) 1X
	(B1) 1X		(C) 1X
	(C1) 1X		(D) 2X
	(D1) 2X		(E) 1X
	(E1) 1X		(F) 2X
	(F1) 2X		(G) 1X
	(G1) 1X		(H) 5X
	(H1) 5X		(I) 4X
	(V) 8X		(V1) 2X
	(V2) 5X		



 J 146X M6x16	 K 3X M6x30	 L 6X M6x85	 M 32X M6x15
 N 10X	 O 4X	 P 1X	 Q 1X S6 S4
 R 2X	 S 1X	 T 1X	 U 16X

 A 4X
 A1 2X
 A2 2X
 V 8X
 J 64X M6x16
 Q 1X S4

Step 1



Don't tight screw to much when you insert A into A1 or A2 on the ground.



I 4X



M6x16

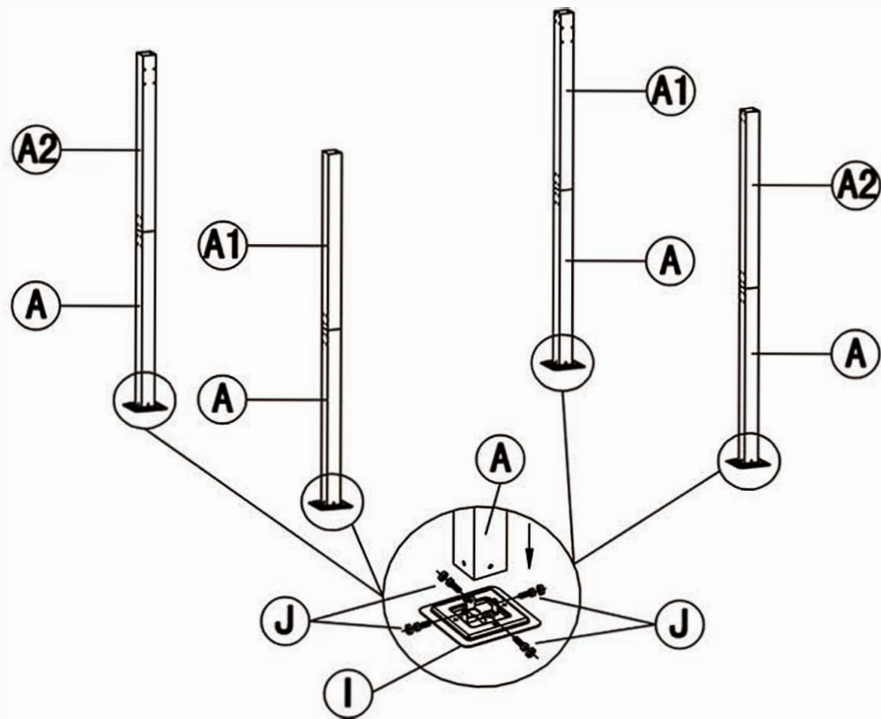
J 16X



S4

Q 1X

Step 2



Tight screws after A and A1 or A2 connected vertically.

Step 3



(B) 1X



(B1) 1X



(C) 1X



(C1) 1X



(R) 2X



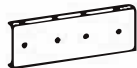
M6x16

(J) 16X

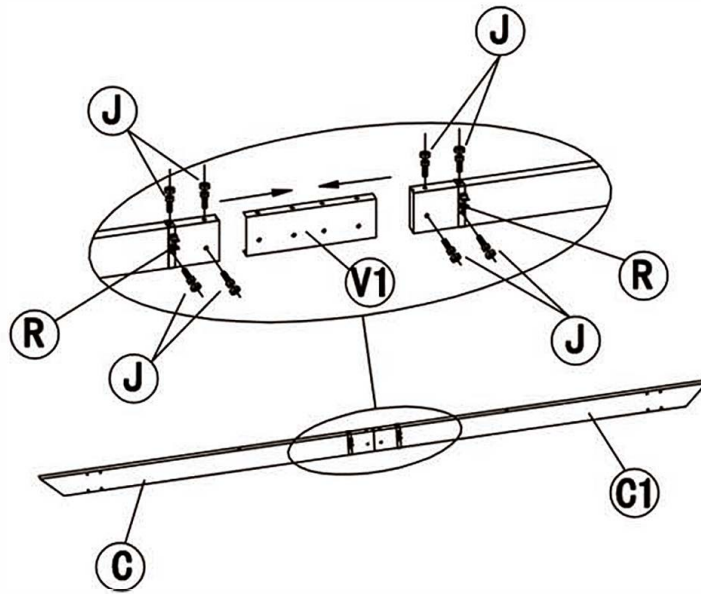
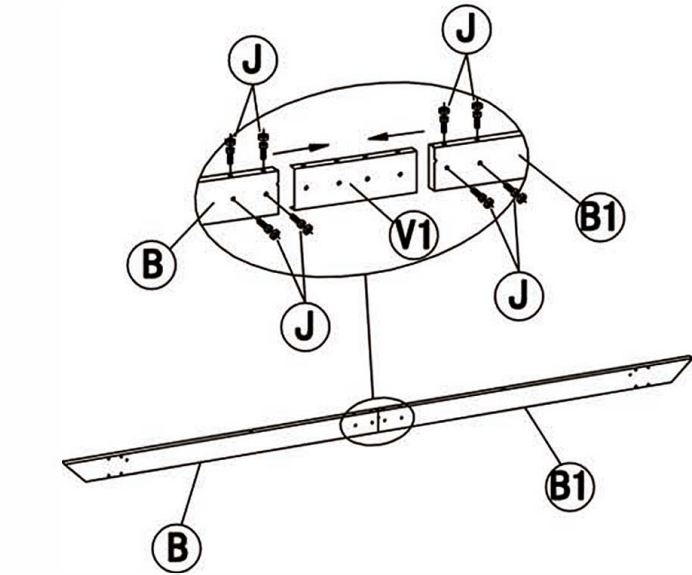


S4

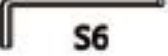
(Q) 1X



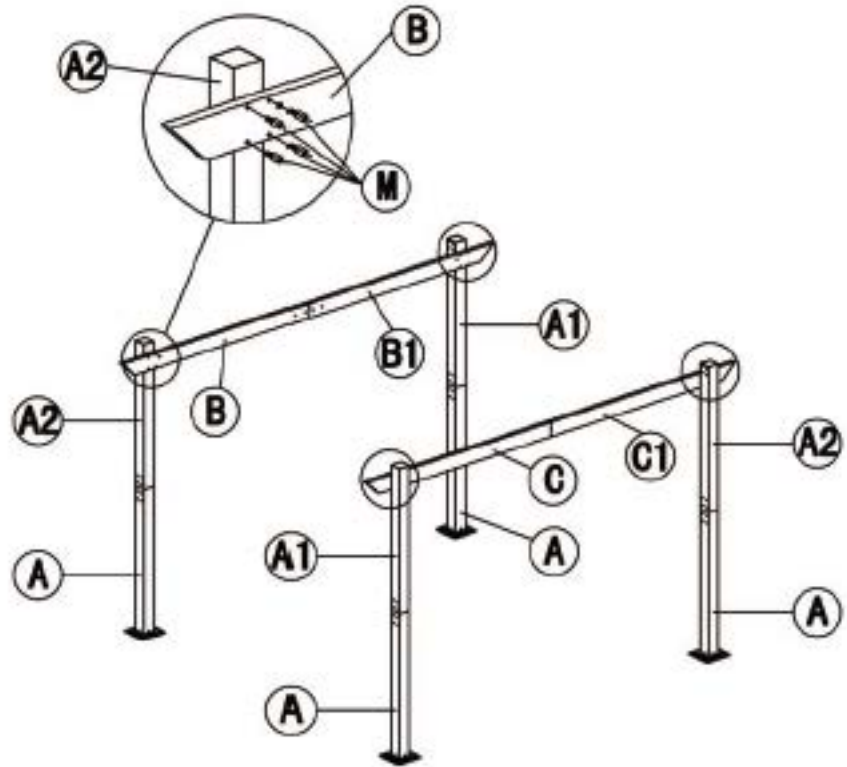
(V1) 2X








- 
- M6x15
- (M) 16X

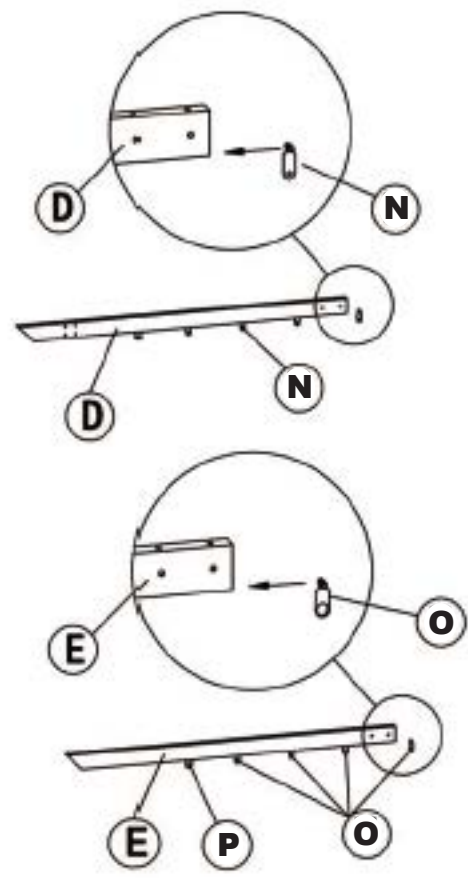
- 
- S6
- (Q) 1X

Step 4



- 
- (D) 2X
- 
- (E) 1X
- 
- (N) 10X
- 
- (O) 4X
- 
- (P) 1X

Step 5



Step 6



D 2X



D1 2X



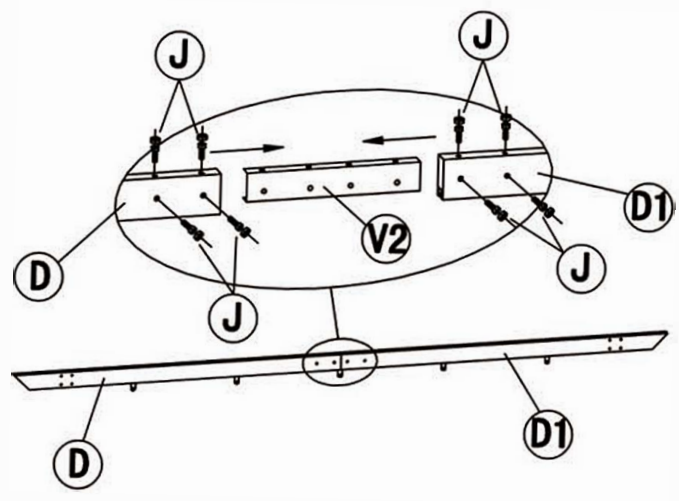
J 16X
M6x16



Q 1X
S4



V2 2X



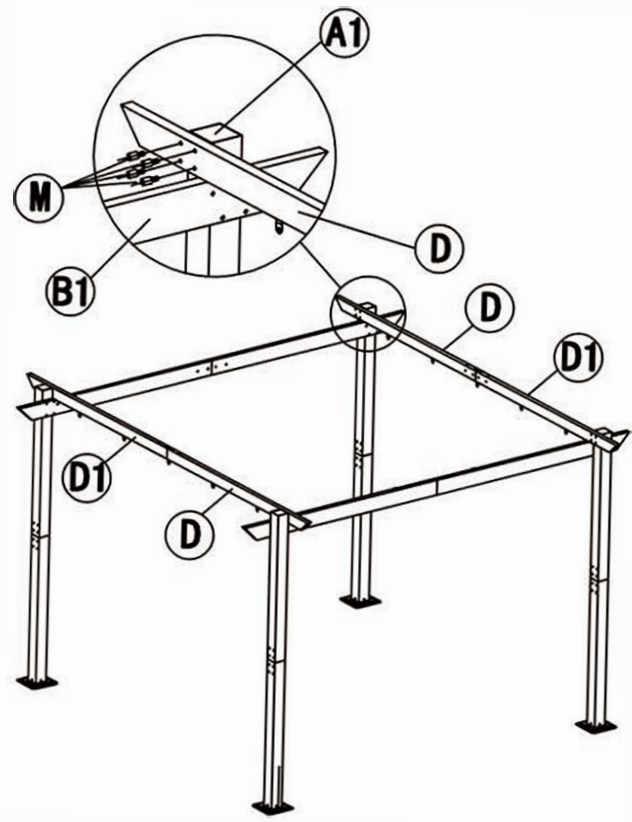
Step 7







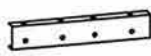


M 16X
M6x15

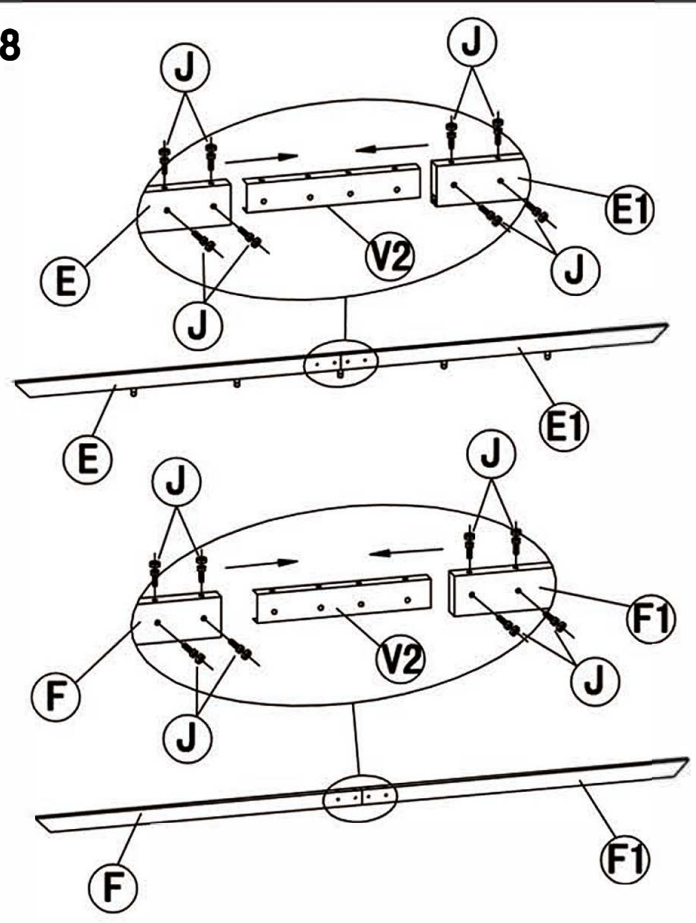




Q 1X
S6



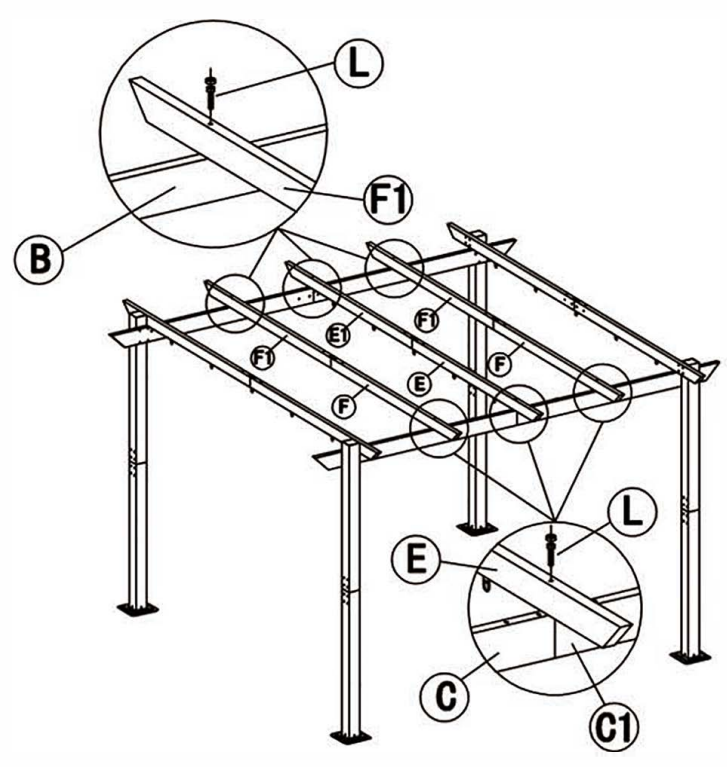
-  **(E) 1X**
-  **(E1) 1X**
-  **(F) 2X**
-  **(F1) 2X**
-  **(J) 24X**
M6x16
-  **(Q) 1X**
S4
-  **(V2) 3X**

Step 8



-  **(L) 6X**
M6x85
-  **(Q) 1X**
S4

Step 9



Step 10

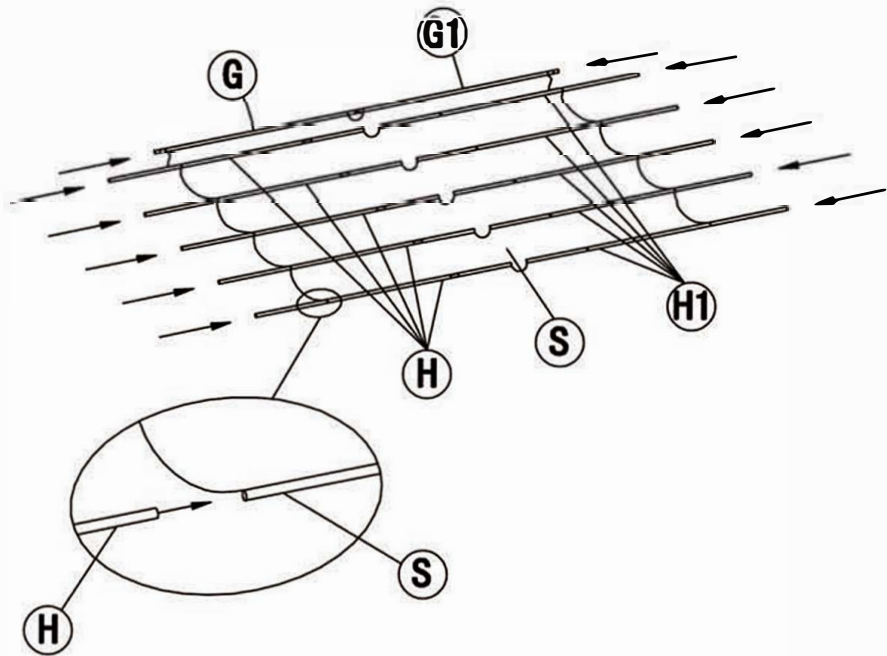
(G) 1X

(G1) 1X

(H) 5X

(H1) 5X

(S) 1X

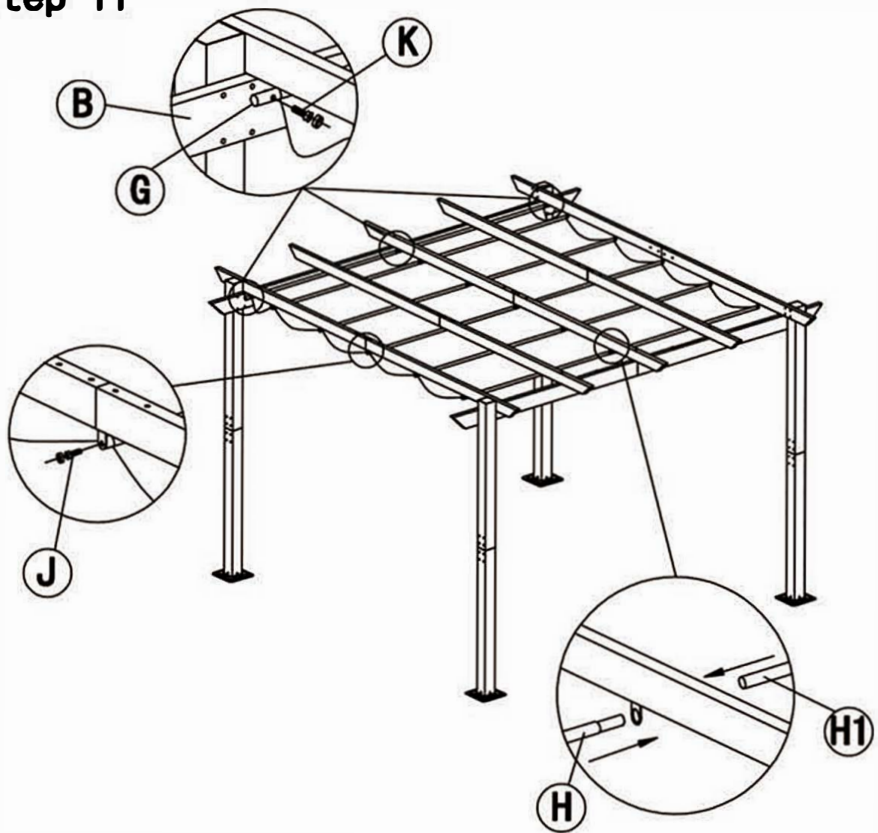


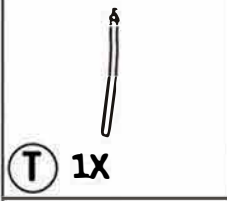
Step 11

(J) 10X
M6x16

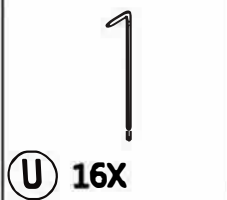
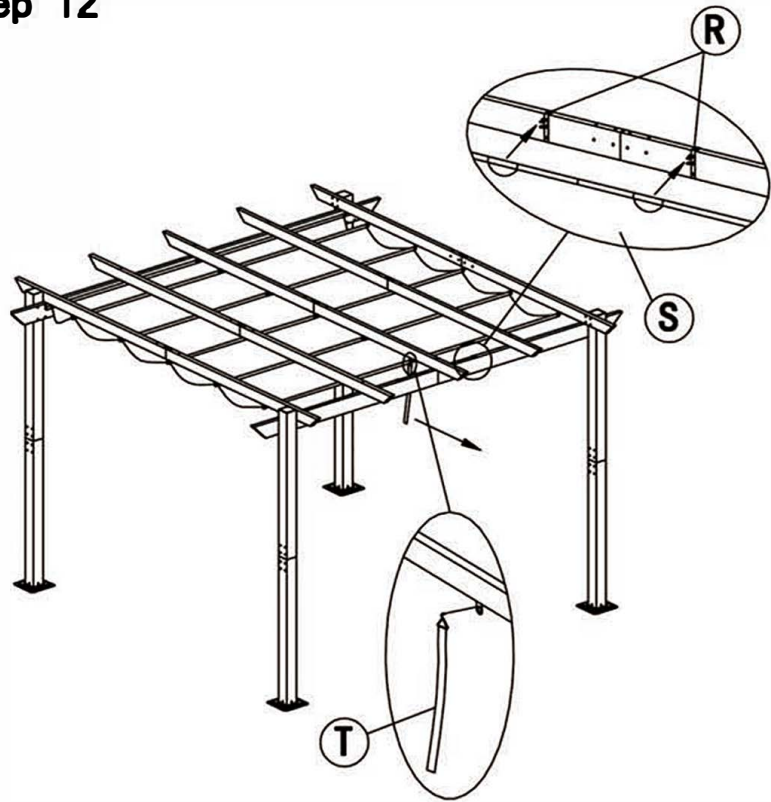
(K) 3X
M6x30

(Q) 1X
S4





Step 12



Step 13

